

Special Features

- ▲ HYGIENIC VANDAL RESISTANT DESIGN
- ▲ AVAILABLE IN TWO SIZES
- ▲ HEMISPHERICAL DESIGN
- ▲ COMPLETE WITH FIXING TOGGLES

Description

The wash bowl is designed for inseting into countertops up to 50 mm thick. Available in two sizes, both in a hemispherical design. Fixing toggles are supplied for securing the wash bowl in position.

Construction

The inset wash bowl is manufactured in one piece without joints or crevices from grade 304 stainless steel, with all exposed surfaces polished to a satin finish. Supplied as standard with the inset wash bowl is an unslotted flush grated waste fitting and fixing toggles.

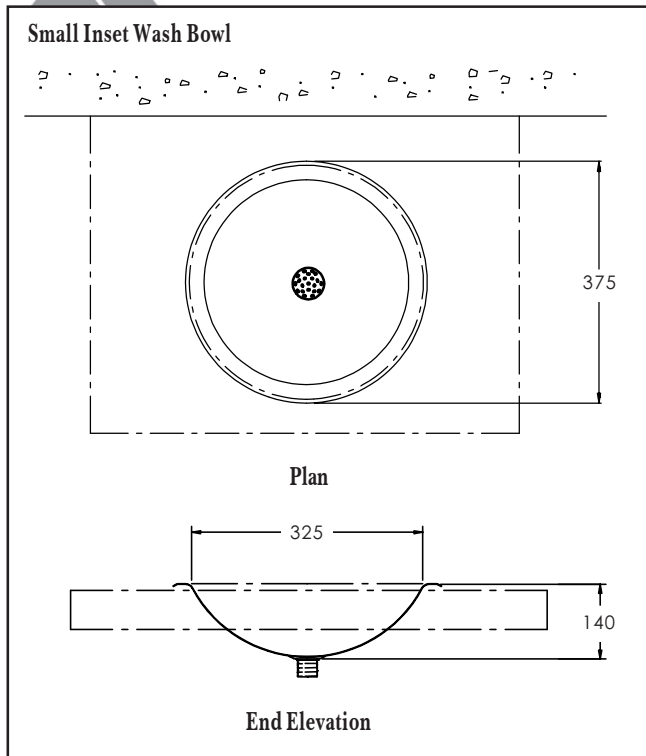
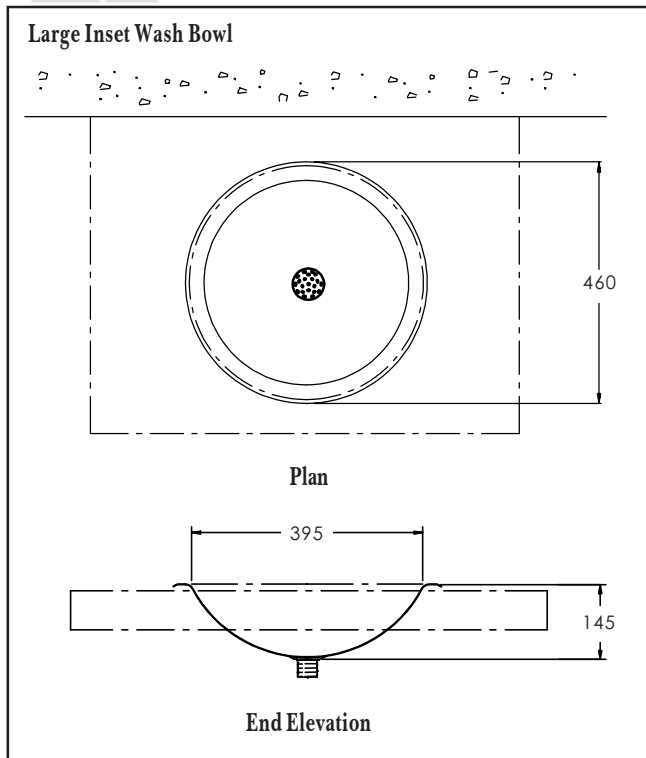
Options

- ▲ Non-standard waste fitting.
- ▲ High polish rim only.
- ▲ High polish rim and internal surface of bowl.
- ▲ Water controllers, taps and valves (see catalogue section 6).



Technical Specification: Inset Wash Bowl

5 Brearley Court, Baird Road, Waterwells Business Park, Quedgeley, Gloucester GL2 2AF Tel: 01452 721211 Fax: 01452 721231 Web: www.acornpowell.co.uk



Waste Outlet

The inset wash bowl is supplied as standard with a 32 mm (1¼ in) BSP unslotted flush grated waste fitting.

As an alternative to the standard waste fitting the following non-standard fitting can be supplied:

32 mm (1¼ in) BSP unslotted waste, plug, chain and stay.

Tap Hole

The top of the inset wash bowl does not incorporate a tap landing. Tap holes must be drilled in the surrounding countertop.

Product Code Selection for Order or Quotation

1. Base Product Code

- 252-large inset wash bowl (395 dia bowl)
- 253-small inset wash bowl (325 dia bowl)

2. Waste Outlet

- Standard
- 3-unslotted flush grated
- Non-Standard
- 4-unslotted plug chain and stay

3. Options

- HPR-high polish rim only
- HPB-high polish rim and internal surface of bowl

For details of water controllers, taps and valves see catalogue section 6.