

### Special Features

- ▲ HYGIENIC VANDAL RESISTANT DESIGN
- ▲ COMPLETE WITH FIXING TOGGLES

### Description

The wash basin is designed for inseting into countertops up to 50 mm thick. Fixing toggles are supplied for securing the wash basin in position.

### Construction

The inset wash basin is manufactured in one piece without joints or crevices from grade 304 stainless steel, with all exposed surfaces polished to a satin finish. The wash basin is produced with either one or two tap holes and is supplied as standard with a combined waste and overflow fitting, plug and chain and fixing toggles.

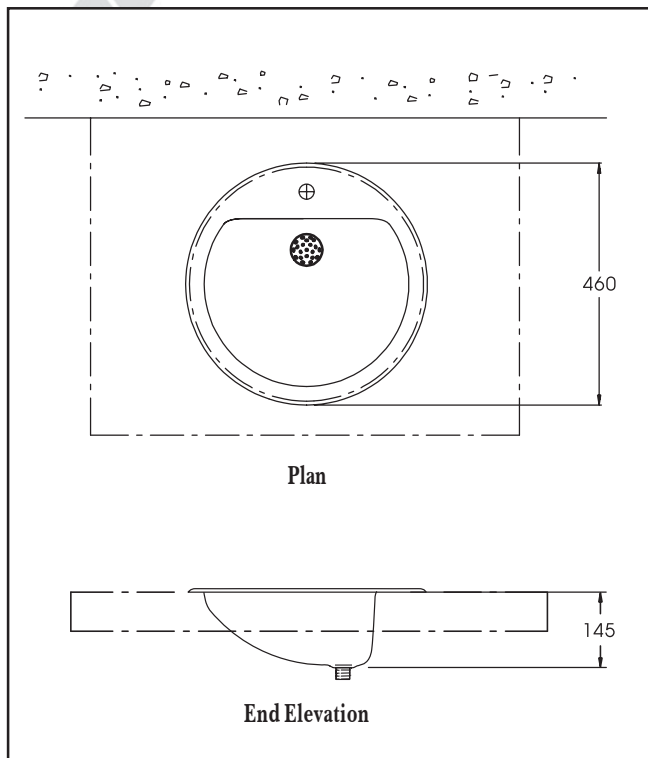
### Options

- ▲ Non-standard waste fittings.
- ▲ Non-standard tap hole sizes.
- ▲ Water controllers, taps and valves (see catalogue section 6).



## Technical Specification: Inset Wash Basin

5 Brearley Court, Baird Road, Waterwells Business Park, Quedgeley, Gloucester GL2 2AF Tel: 01452 721211 Fax: 01452 721231 Web: www.acornpowell.co.uk



### Waste Outlet

The inset wash basin is supplied as standard with a 32 mm (1¼ in) BSP combined waste and overflow fitting, plug and chain.

As an alternative to the standard waste fitting one of the following non-standard fittings can be supplied:

32 mm (1¼ in) BSP combined waste and overflow, captive plug.

32 mm (1¼ in) BSP unslotted flush grated waste.

32 mm (1¼ in) BSP unslotted waste, plug, chain and stay.

### Tap Hole Positions

The inset wash basin is produced with either one tap hole, which can be right hand, left hand or central, or two tap holes. A central tap hole can only be provided if an unslotted waste outlet has been selected.

### Tap Hole Sizes

The standard tap hole size is 22 mm diameter.

Non-standard sizes that can be provided are:

30 mm dia, 35 mm dia and 38 mm dia.

### Product Code Selection for Order or Quotation

#### 1. Base Product Code

254-inset wash basin

#### 2. Waste Outlet

Standard

1-combined overflow plug and chain

Non-Standard

2-combined overflow captive plug

3-unslotted flush grated

4-unslotted plug chain and stay

#### 3. Tap Hole Position

R-right hand

L-left hand

C-central (only available with waste outlet code 3 or 4)

T-two

#### 4. Tap Hole Size

Standard

22-22 mm dia

Non-Standard

30-30 mm dia

35-35 mm dia

38-38 mm dia

For details of water controllers, taps and valves see catalogue section 6.