

Special Features

- ▲ HYGIENIC VANDAL RESISTANT DESIGN
- ▲ NEAT COMPACT SIZE
- ▲ COMPLETE WITH FIXING STUDS

Description

The wash bowl is designed for inseting into countertops up to 50 mm thick and is ideal for areas subject to health regulations relating to hand washing but where only a limited space is available. Fixing studs are provided for securing the wash bowl in position.

Construction

The inset wash bowl is manufactured in one piece without joints or crevices from grade 304 stainless steel, with all exposed surfaces polished to a satin finish. Supplied as standard with the inset wash bowl is a combined waste and overflow fitting, plug and chain and fixing studs.

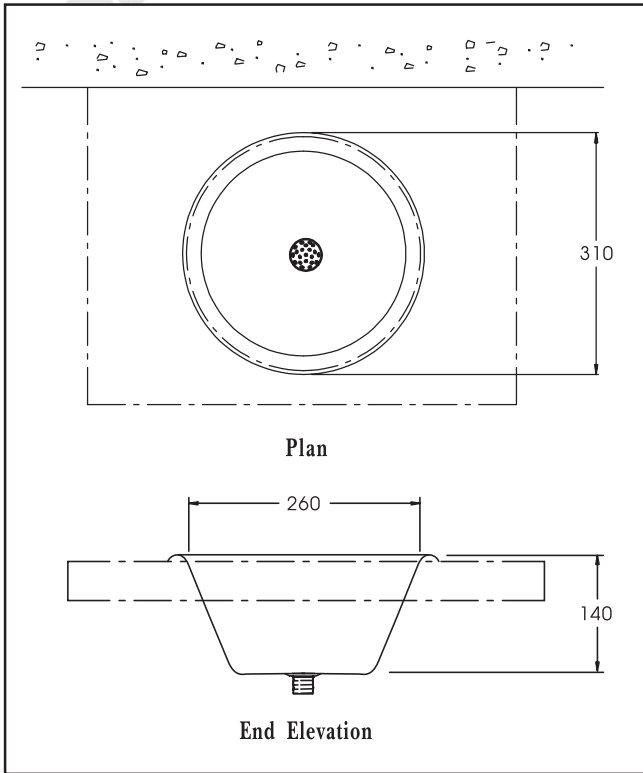
Options

- ▲ Non-standard waste fitting.
- ▲ Water controllers, taps and valves (see catalogue section 6).



Technical Specification: Inset Wash Bowl

5 Brearley Court, Baird Road, Waterwells Business Park, Quedgeley, Gloucester GL2 2AF Tel: 01452 721211 Fax: 01452 721231 Web: www.acornpowell.co.uk



Waste Outlet

The inset wash bowl is supplied as standard with a 32 mm (1¼ in) BSP combined waste and overflow fitting, plug and chain.

As an alternative to the standard waste fitting the following non-standard fitting can be supplied:

32 mm (1¼ in) BSP combined waste and overflow, captive plug.

Tap Hole

The top of the inset wash bowl does not incorporate a tap landing. Tap holes must be drilled in the surrounding countertop.

Product Code Selection for Order or Quotation

1. Base Product Code

256-inset wash bowl

2. Waste Outlet

Standard

1-combined overflow plug and chain

Non-Standard

2-combined overflow captive plug

For details of water controllers, taps and valves see catalogue section 6.